

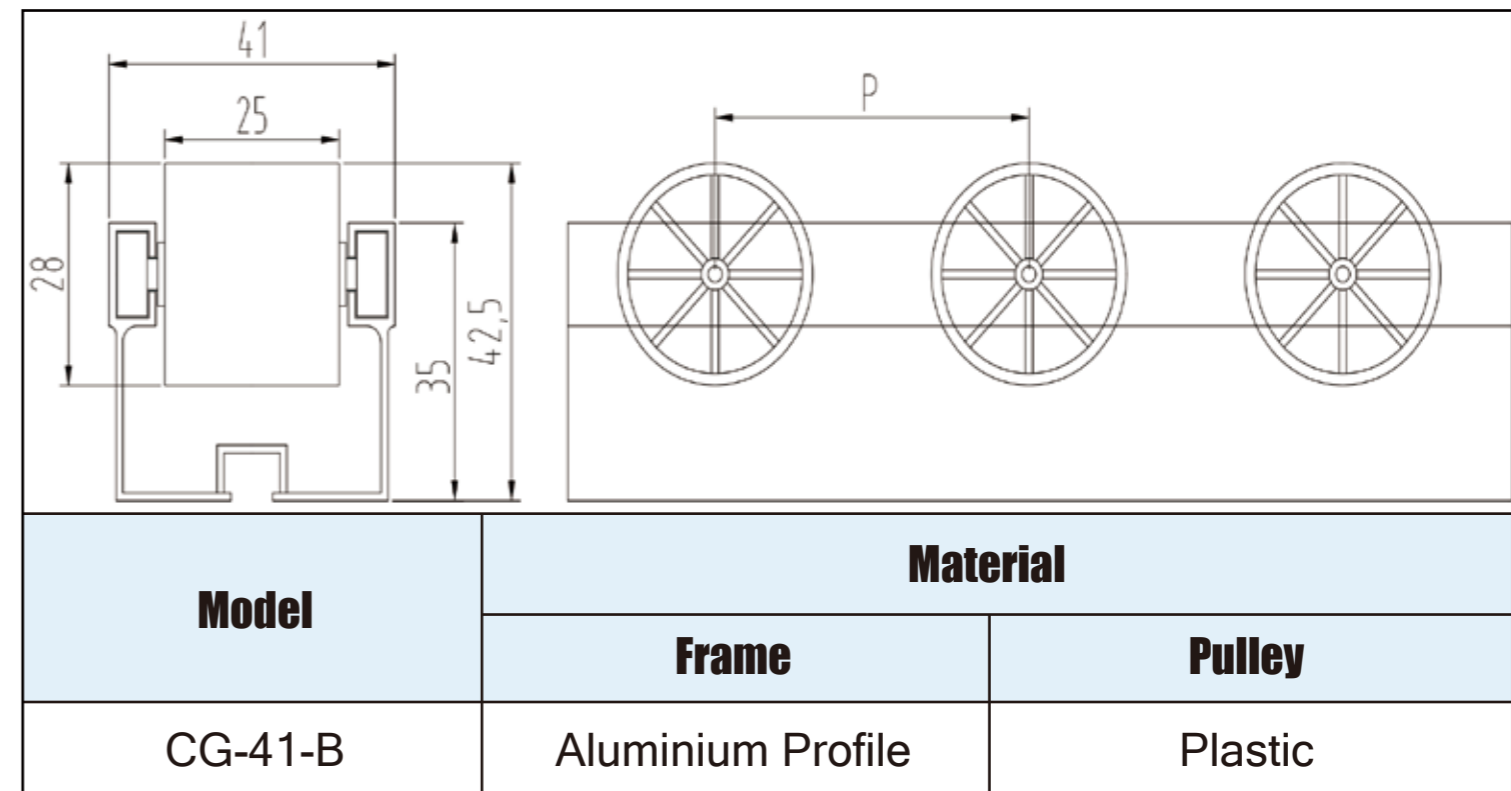
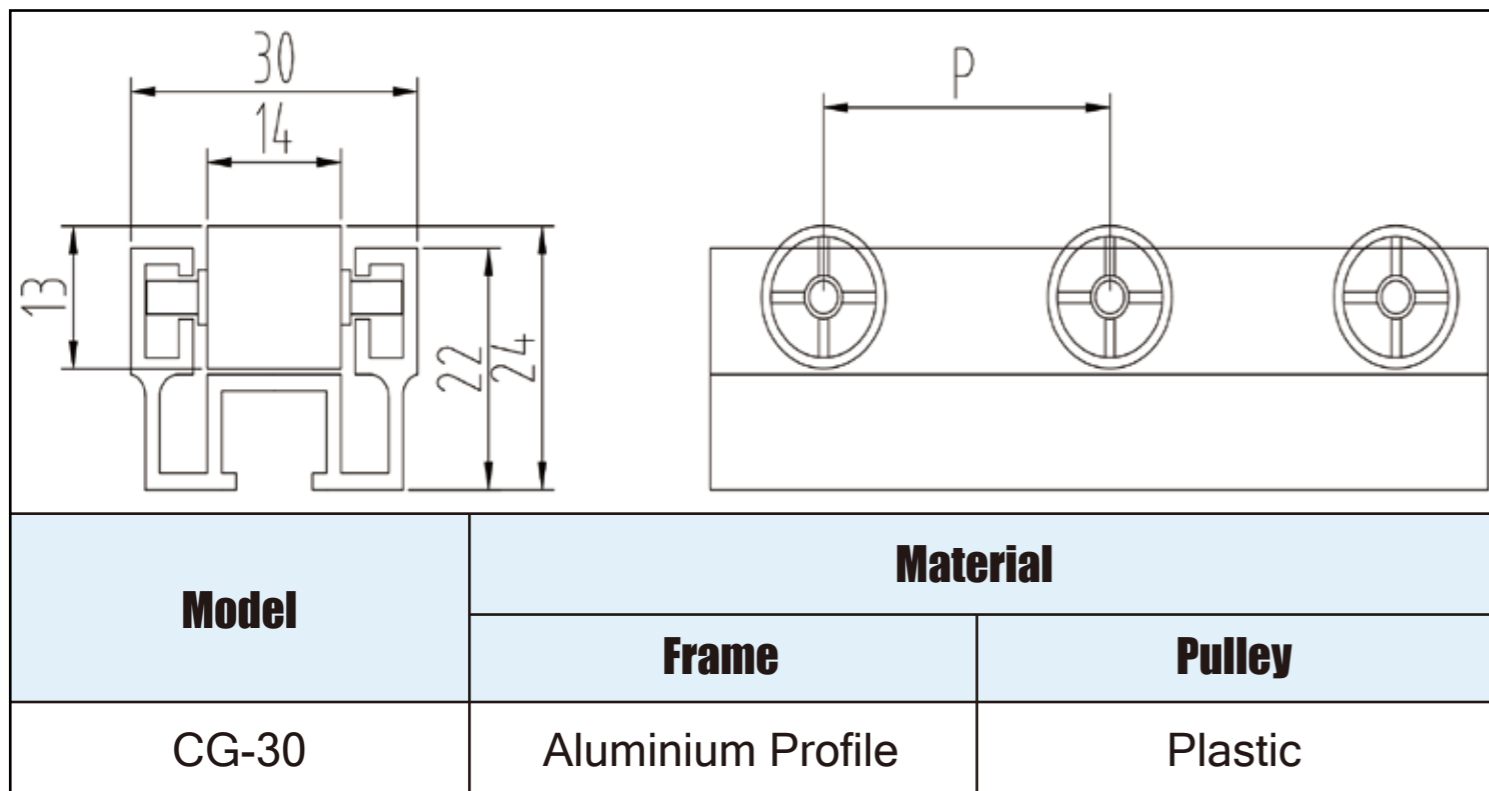
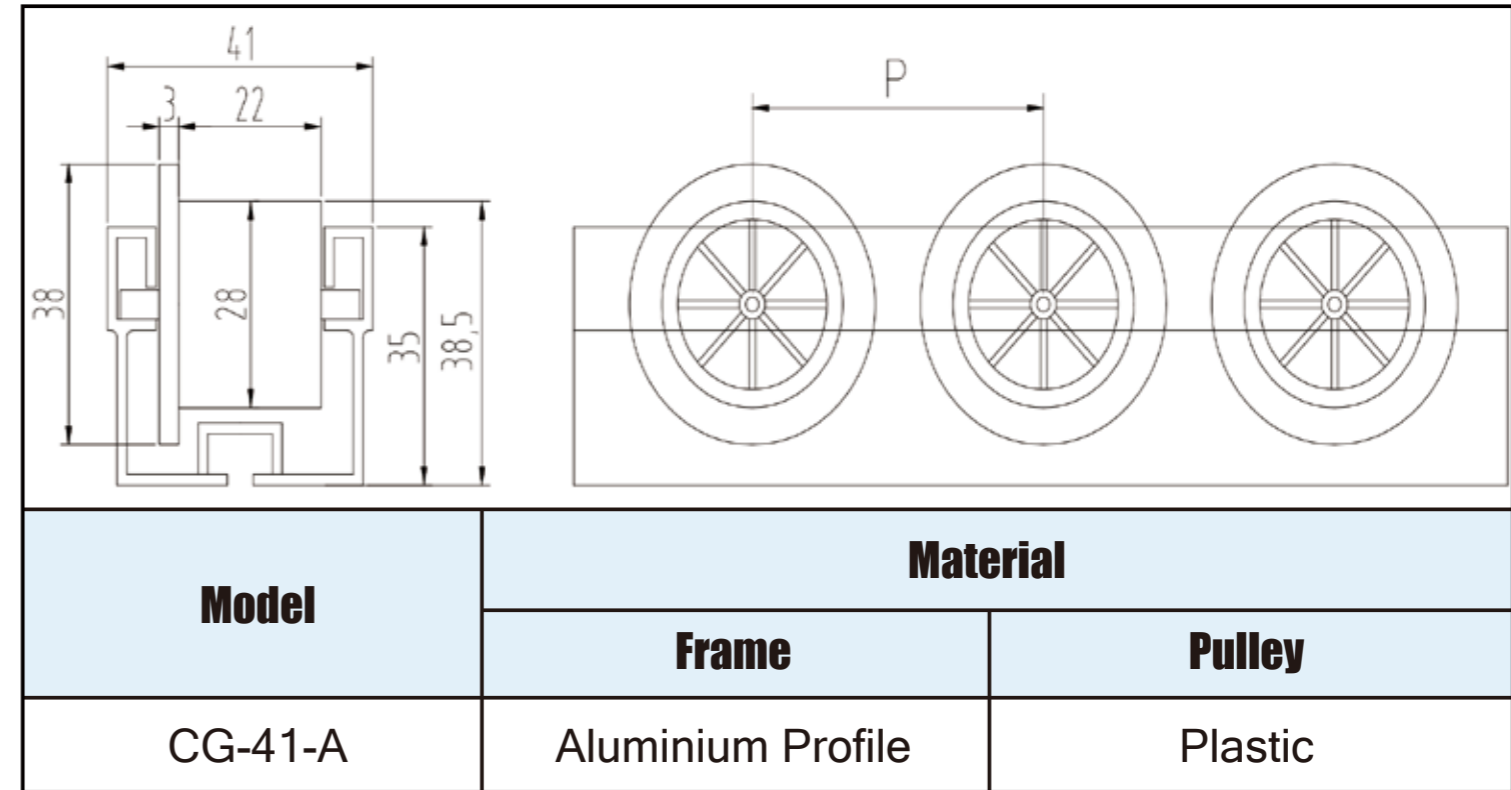
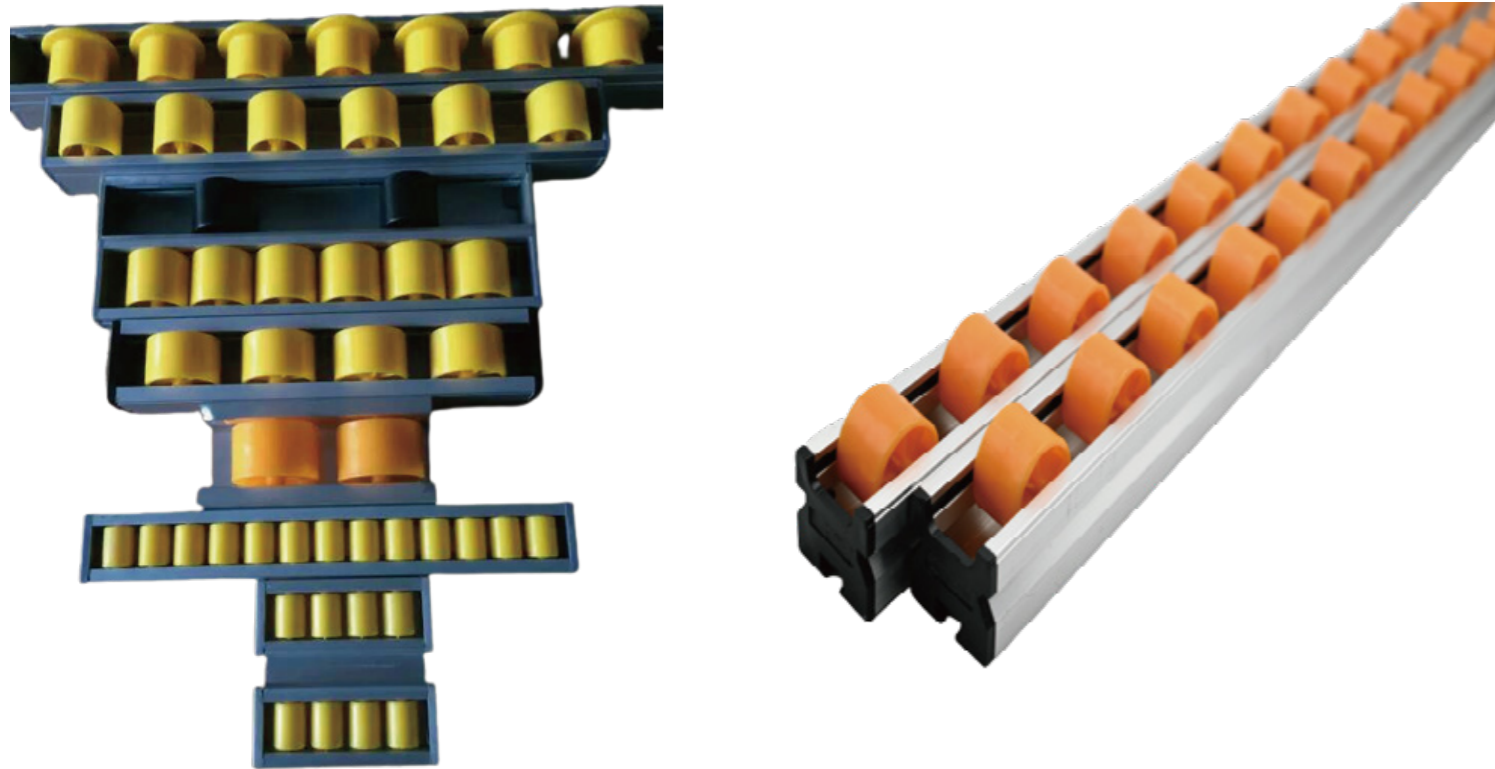
Product Contents

Conveyor Components Series 02-05

Model CG, CH Flow Rail 02-05

Model CJ Wear Strip 05

Model CG: Flow Rail-Aluminium Profile Frame



Model CG: Flow Rail-Aluminium Profile Frame

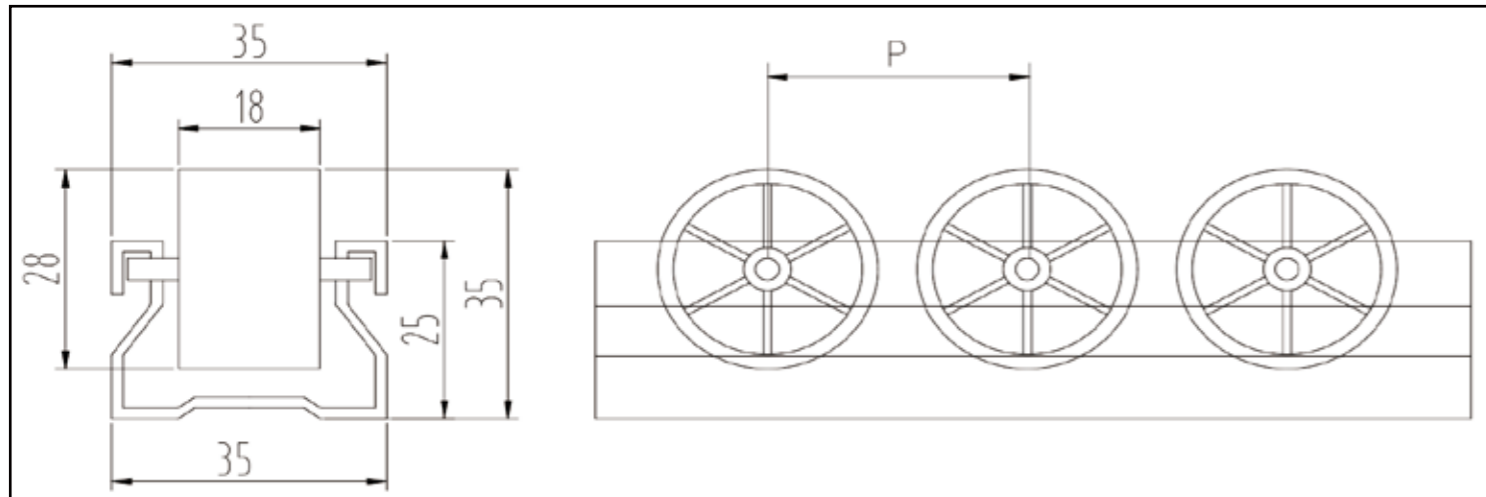
Model	Material	
	Frame	Pulley
CG-41-C	Aluminium Profile	Plastic

Model	Material	
	Frame	Pulley
CG-44-B	Aluminium Profile	Plastic

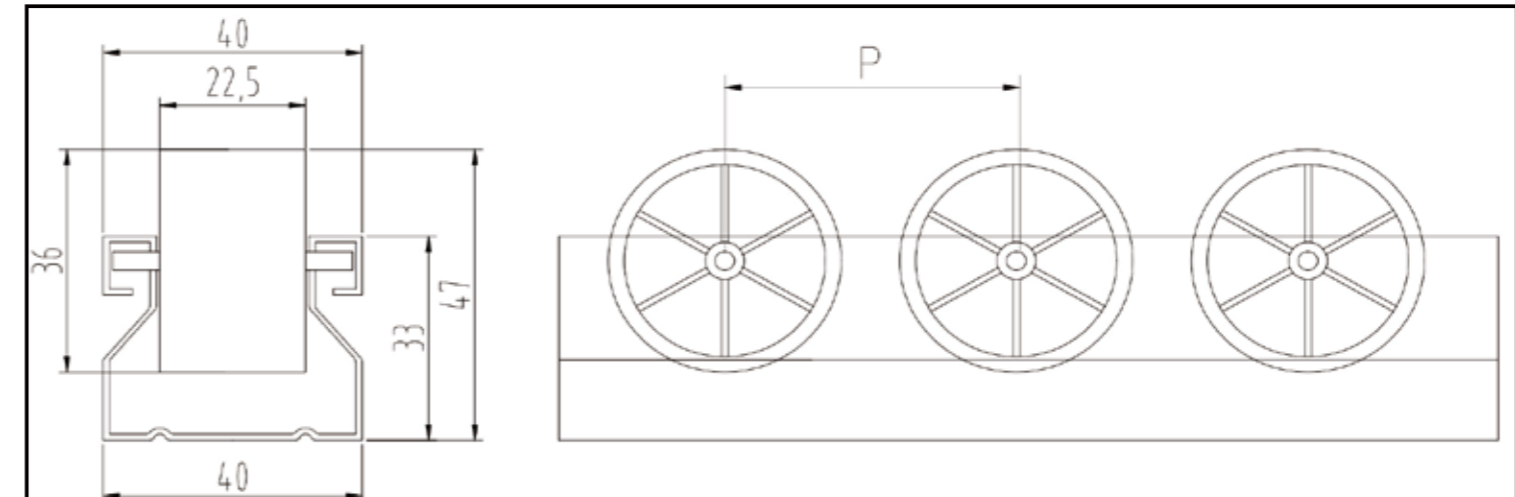
Model	Material	
	Frame	Pulley
CG-44-A	Aluminium Profile	Plastic

Model	Material	
	Frame	Pulley
CG-44	Aluminium Profile	Plastic

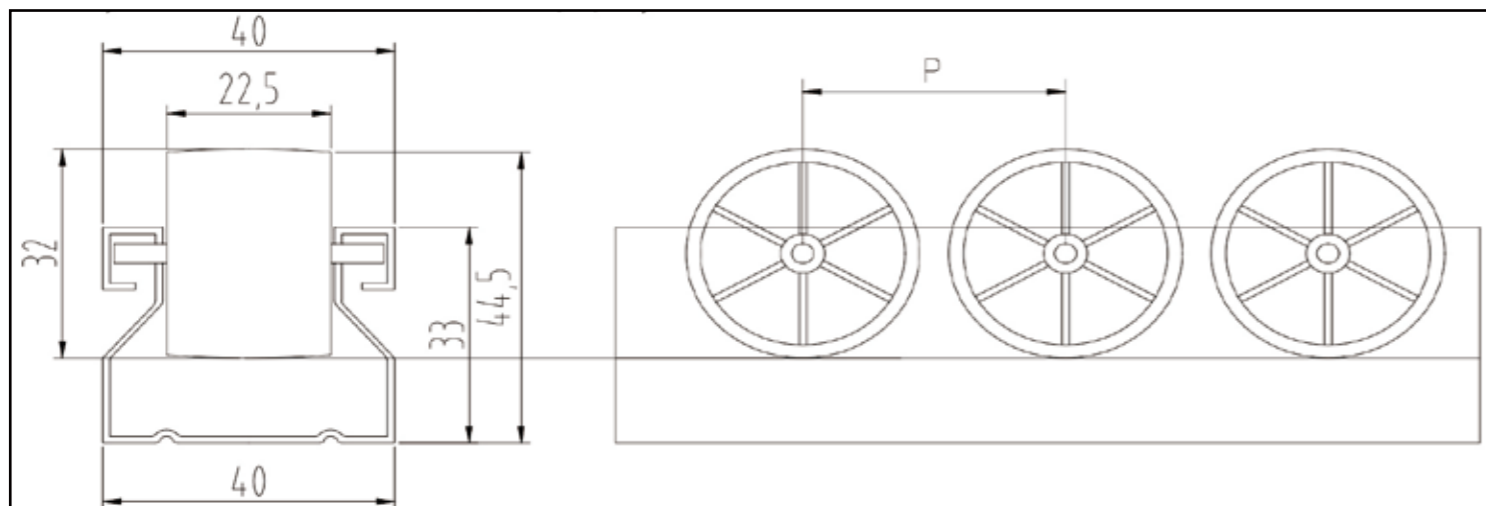
Model CH: Flow Rail-Steel Plate Frame



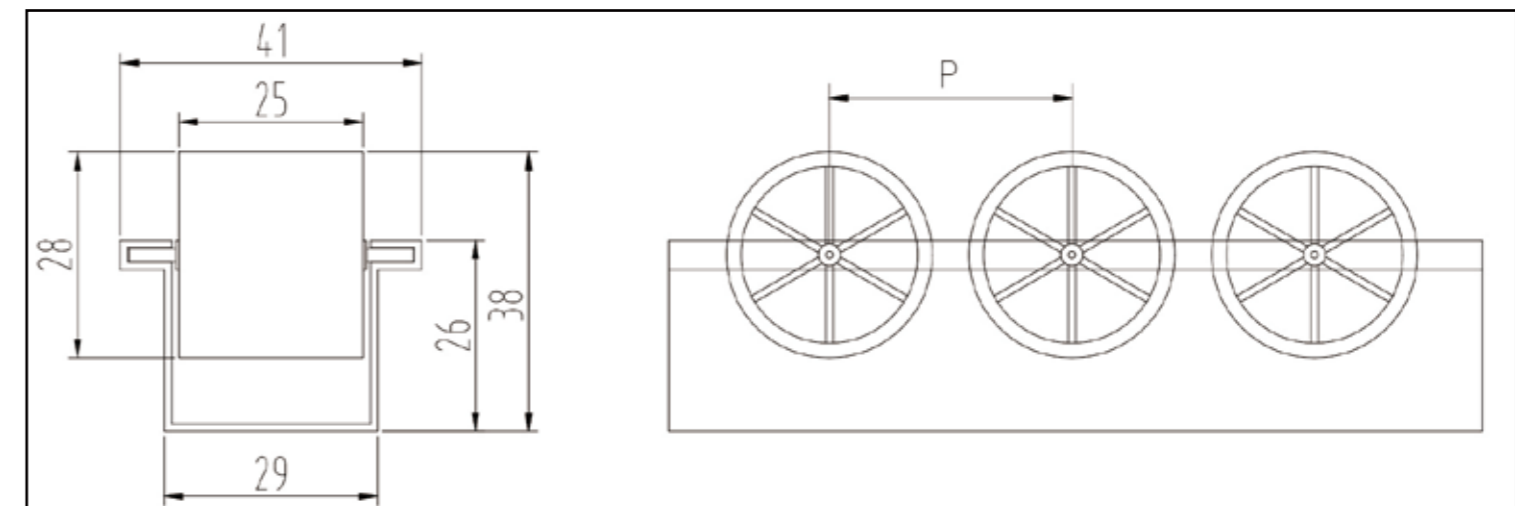
Model	Material	
	Frame	Pulley
CH-35	Steel Plate	Plastic



Model	Material	
	Frame	Pulley
CH-40-B	Steel Plate	Plastic

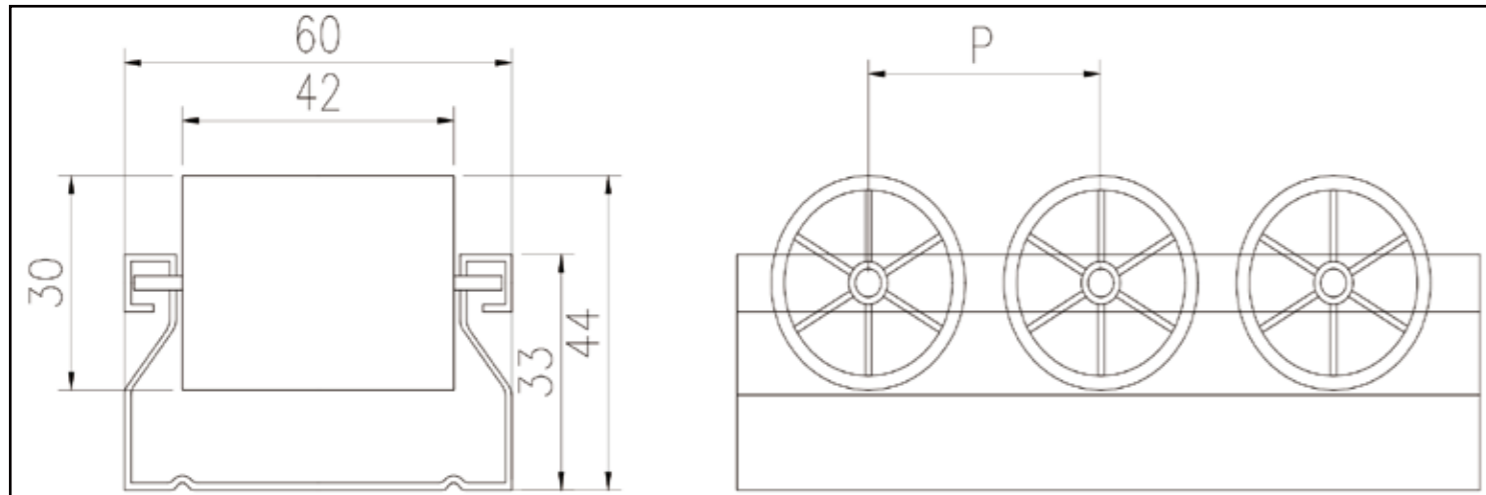


Model	Material	
	Frame	Pulley
CH-40-A	Steel Plate	Plastic



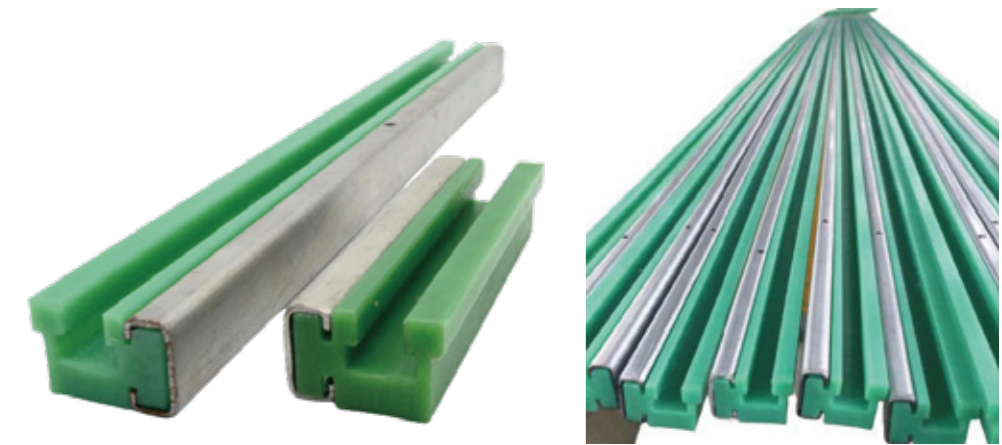
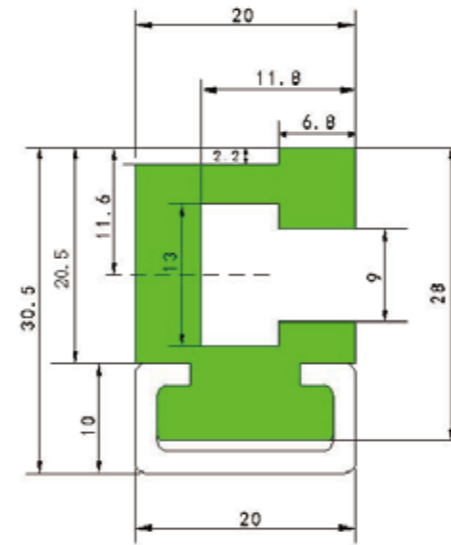
Model	Material	
	Frame	Pulley
CH-41	Steel Plate	Plastic

Model CH: Flow Rail-Steel Plate Frame

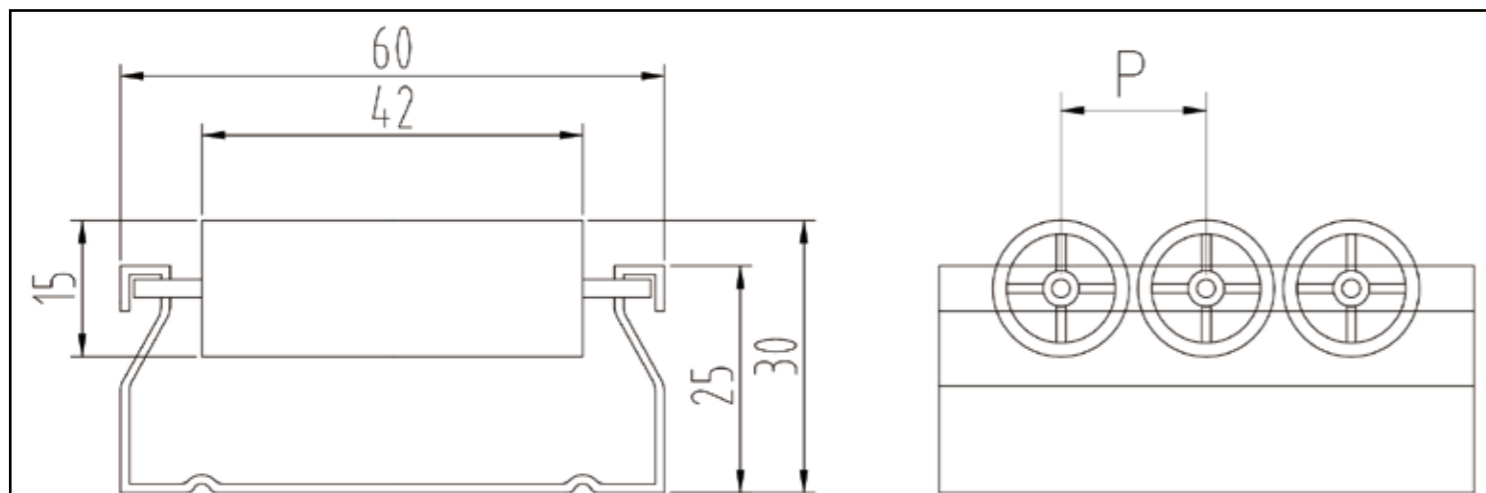


Model	Material	
	Frame	Pulley
CH-60-A	Steel Plate	Plastic

Model CJ: Wear Strip



Wear Strip Soft Sleeve With Steel Frame



Model	Material	
	Frame	Pulley
CH-60-B	Steel Plate	Plastic



Wear Strip Soft Sleeve For Steel Plate